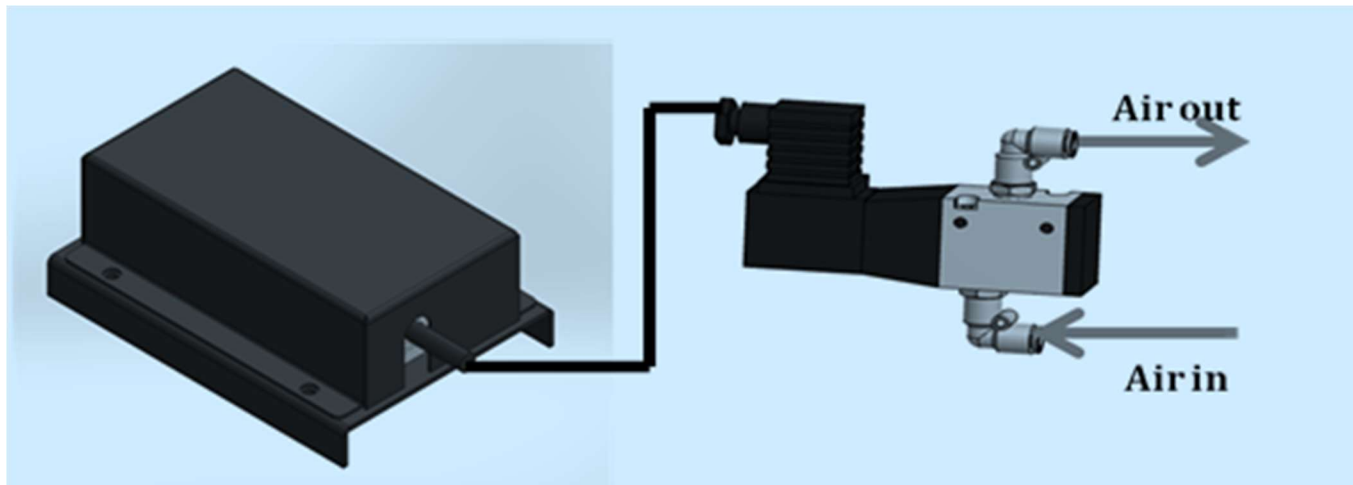


## Tilt Switch System for Tippers



- ❖ The advanced techno product from EPOCH has made your major safety issue into powders.
- ❖ TSW-01 is a dual-axis, compact and robust industrial grade tilt switch.
- ❖ It can be used in static and harsh environments as factories, automotive or construction sites.
- ❖ The system provides an output when the vehicle angle is more than the set limit.
- ❖ The output is used to stop tipping of the vehicle for safety purpose.
- ❖ Visual and audio indication is ON when the vehicle angle is more than set point during tipping to alert the operator.
- ❖ Set limit is configurable through RS232c



## Specification of the product

<b>PERFORMANCE</b>	
Measurement Range	±20° (X-Axis) ±20° (Y-Axis)
Resolution	0.1°
Accuracy	±0.2° (static)
<b>ELECTRICAL</b>	
Power Supply	9 to 36 VDC
Current consumption	< 100 mA @ 12V
Interfaces	RS232/CAN
Protocol	EPOCH Standard
Baud Rate	9600
No. of inputs	4
No. of outputs	4
<b>ENVIRONMENTAL</b>	
Shock Survival	20 g
Environmental Sealing	IP67
Operating Temperature	-20° C to +60° C
<b>MECHANICAL</b>	
Size	120 mm (L) x 85 mm (W) x 40 mm (H)
Weight	<300 gms
Enclosure	ABS

## Features of the product

- ❖ Dual axis angle measurement(±20°)
- ❖ Quick response
- ❖ Robust design
- ❖ Plug & Play installation
- ❖ Visual and audio indication to alert the operator
- ❖ PC application interface

### Contact

**MANIKANDAN G**

Call / Whatsapp : **+91 9035697225**

Mail : [manikandan@epochloadcell.com](mailto:manikandan@epochloadcell.com)

### Address

EPOCH Instruments & Controls Pvt. Ltd.,

No. 16, Bhadrappa Estate, 54,

Magadi Main Road, Kamakshipalya,

Bangalore - 560 079.

[Sales@epochloadcell.com](mailto:Sales@epochloadcell.com)